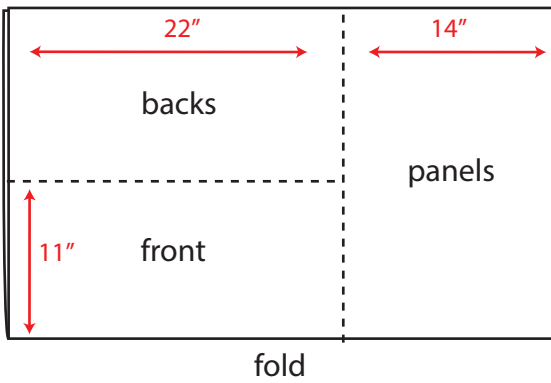


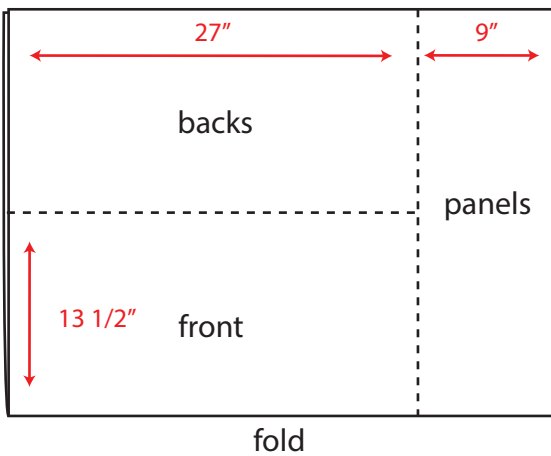
44" wide fabric

22" length without hem allowance



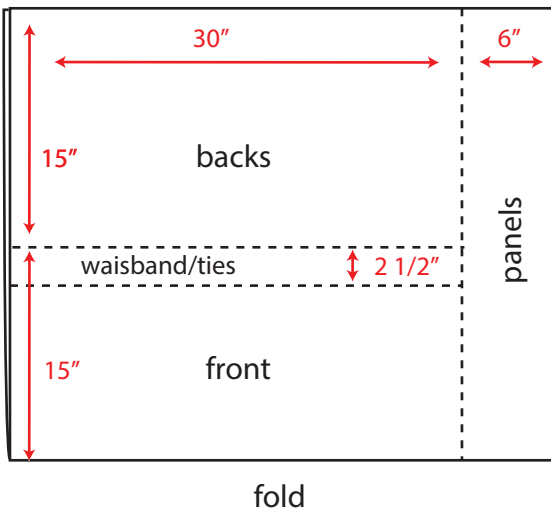
54" wide fabric

27" length without hem allowance



60" wide fabric

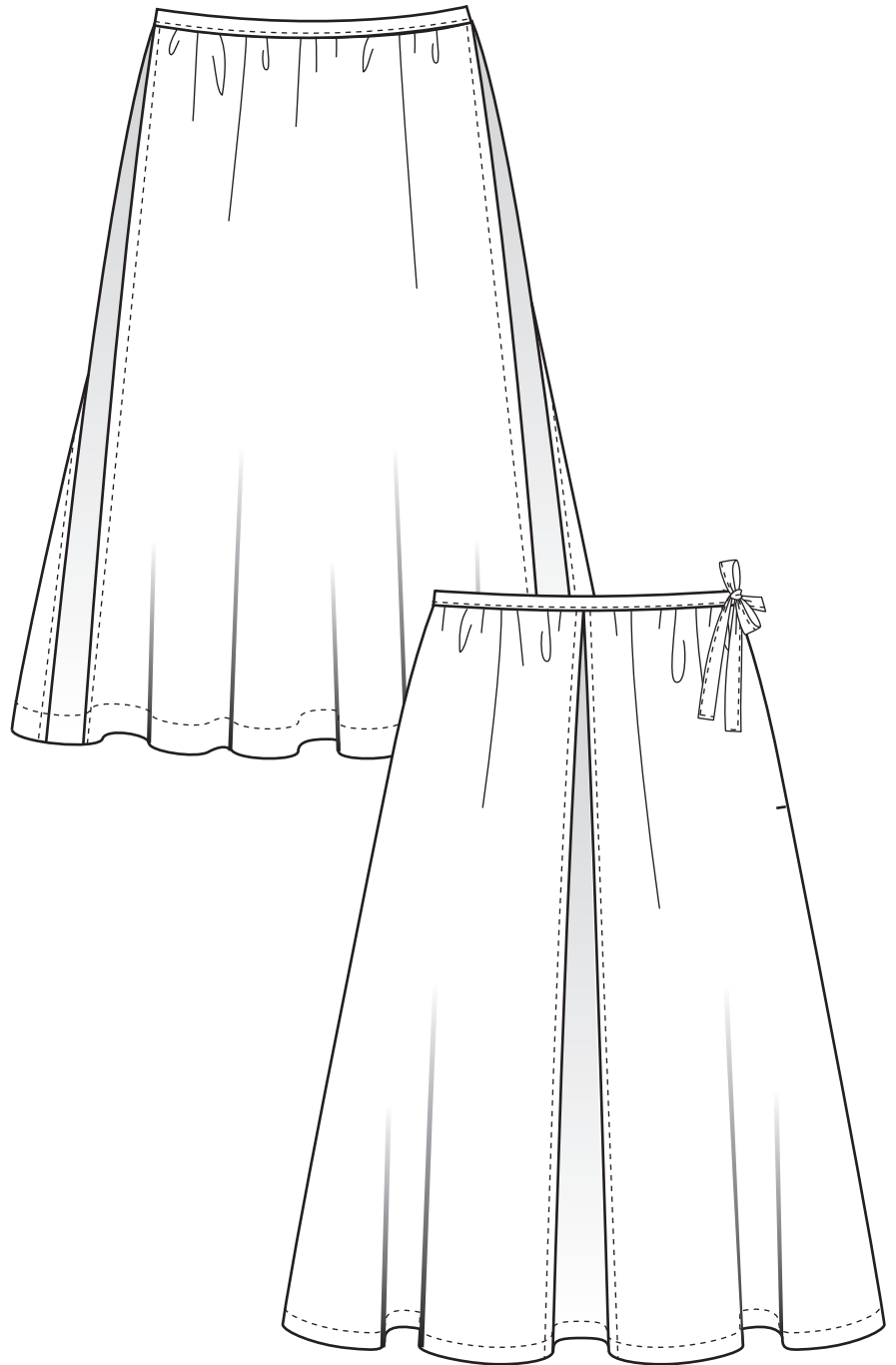
30" length without hem allowance



## 1 YARD PLEAT SKIRT

ALL equal 67" total waistline to gather / hip measurements considering seam allowances.

(5" for seam allowance, CB and panel seams sewn at 1/2")



Optional waistband with tie variation with total of 62" to gather in  
\*Good for thicker fabrics, can be applied to all fabric width layouts.

Note: the wider the width of your fabric, the longer the tie will be, and you can't create a waistband tie with a fabric that is a shorter width than your waist measurement.

Other options are to finish waistline with a piece of bias or ribbon.